

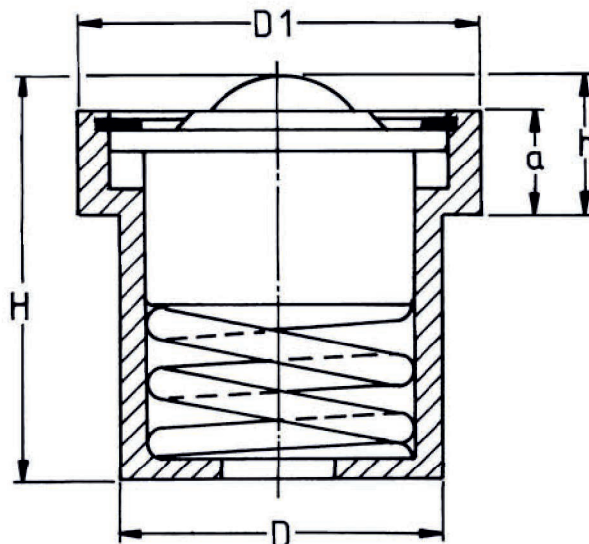
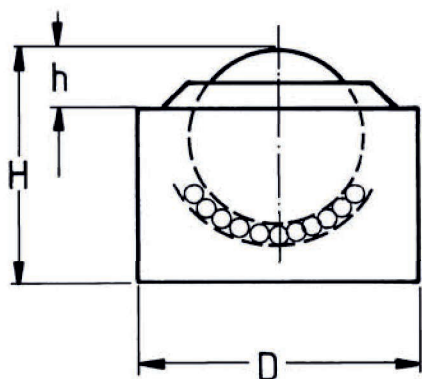
Peter Faust Ball transfer Units

<http://www.kugelrollen-faust.de>

We carry ball transfer units in various designs:

Steel massiv, with or without flange,
Sheet steel with polyamide ball and
designs in stainless steel
with spring and in massiv steel.

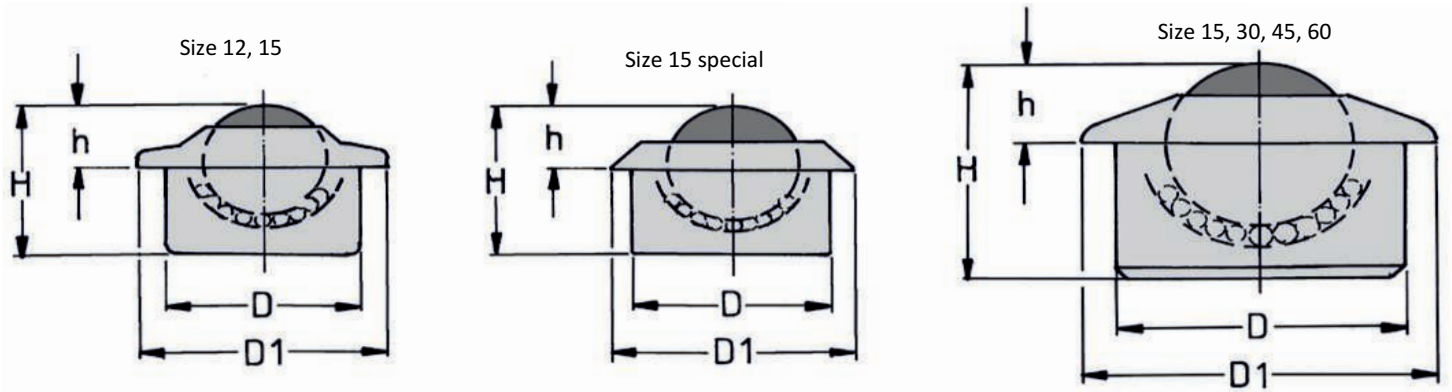
With special designs to customer presentation.
We like to demonstrate our flexibility and efficiency.



Peter Faust Kugelrollen
Justus-von-Liebig Str. 1
D-63110 Rodgau

Phone: +49 6106 6109177
Fax: +49 6106 6109178
Mail: info@kugelrollen-faust.de

KSM Ball transfer Units solid steel



Dimensions

| D +0,08 mm | D1 mm | h +0,3 mm | H mm | Support Load | | Weight gram |
|------------------|----------|-----------------|---------|---------------|----------------|----------------|
| | | | | C. Steel N | St. Steel N | |
| 22,0 | 27,0 | 7,7 | 17,0 | 300 | 150 | 37 |
| 24,0 | 31,0 | 9,5 | 21,0 | 600 | 500 | 59 |
| 24,0 | 31,0 | 9,5 | 21,0 | 600 | 500 | 52 |
| 36,0 | 45,0 | 9,8 | 30,5 | 1800 | 1100 | 188 |
| 45,0 | 55,0 | 13,8 | 36,8 | 3000 | 2150 | 354 |
| 62,0 | 75,0 | 19,0 | 53,5 | 6000 | 4500 | 993 |
| 100,0 | 117,0 | 29,5 | 77,5 | 15000 | 12000 | 3750 |

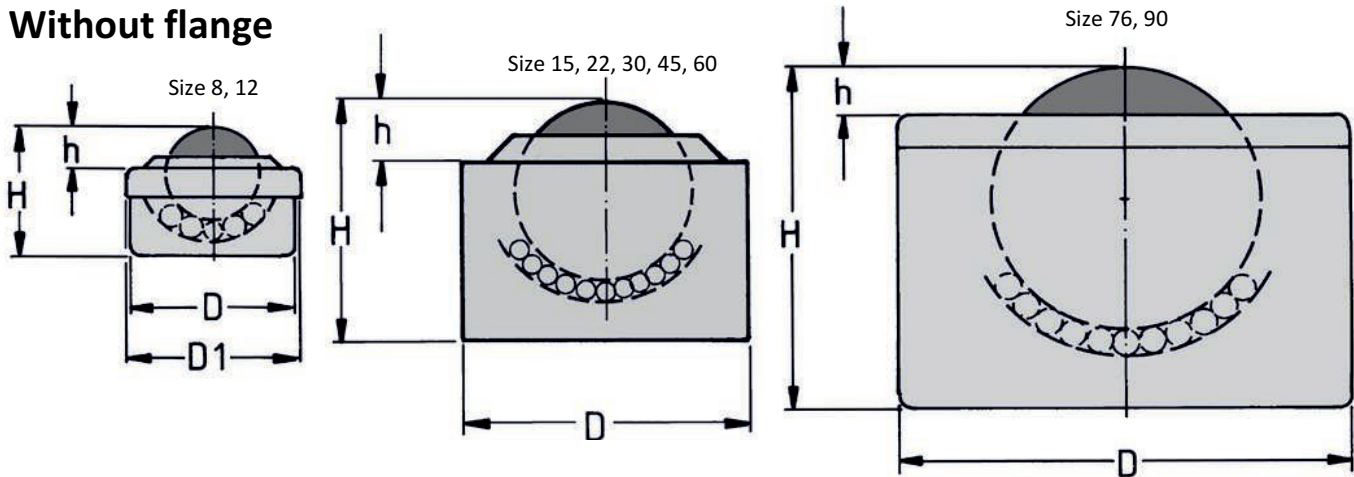
x with sheet steel cover o with solid steel cover

Order code

A=Housing bare with carbon steel balls
 B=Housing zinc plated with carbon steel balls
 C=Housing zinc plated with stainless steel balls

| | | |
|----------------|----------------|----------------|
| KSM 12 A | KSM 12 B | KSM 12 C |
| KSM 15 A | KSM 15 B | KSM 15 C |
| KSM 15 A spec. | KSM 15 B spec. | KSM 15 C spec. |
| KSM 22 A | KSM 22 B | KSM 22 C |
| KSM 30 A | KSM 30 B | KSM 30 C |
| KSM 45 A | KSM 45 B | KSM 45 C |
| KSM 60 A | KSM 60 B | KSM 60 C |

Without flange



Dimensions

| D +0,08 mm | D1 mm | h +0,3 mm | H mm | Support Load | | Weight gram |
|------------------|----------|-----------------|---------|---------------|----------------|----------------|
| | | | | C. Steel N | St. Steel N | |
| 18,0 | | 1,5 | 12,0 | 150 | 100 | 17 |
| 22,0 | 22,2 | 5,5 | 17,5 | 300 | 150 | 33 |
| 24,0 | | 5,0 | 20,0 | 600 | 500 | 50 |
| 36,0 | | 8,1 | 30,5 | 1800 | 1100 | 165 |
| 45,0 | | 10,8 | 36,8 | 3000 | 2150 | 310 |
| 62,0 | | 15,6 | 53,0 | 6000 | 4500 | 878 |
| 100,0 | | 15,0 | 77,5 | 15000 | 12000 | 3500 |
| 130,0 | | 23,0 | 103,0 | 30000 | 25000 | 8600 |
| 145,0 | | 25,0 | 115,0 | 40000 | 35000 | 11000 |

x with sheet steel cover o removable

Order code

A=Housing bare with carbon steel balls
 B=Housing zinc plated with carbon steel balls
 C=Housing zinc plated with stainless steel balls

| | | |
|---------------|---------------|---------------|
| KSM 8 A o. B | KSM 8 B o. B | KSM 8 C o. B |
| KSM 12 A o. B | KSM 12 B o. B | KSM 12 C o. B |
| KSM 15 A o. B | KSM 15 B o. B | KSM 15 C o. B |
| KSM 22 A o. B | KSM 22 B o. B | KSM 22 C o. B |
| KSM 30 A o. B | KSM 30 B o. B | KSM 30 C o. B |
| KSM 45 A o. B | KSM 45 B o. B | KSM 45 C o. B |
| KSM 60 A o. B | KSM 60 B o. B | KSM 60 C o. B |
| KSM 76 A o. B | KSM 76 B o. B | KSM 76 C o. B |
| KSM 90 A o. B | | |

With nylon load ball

Dimensions

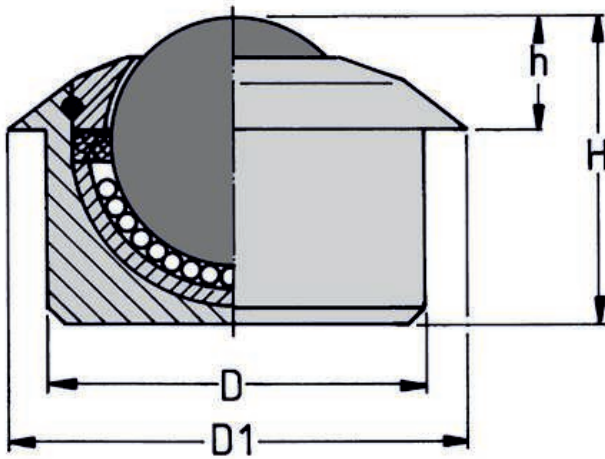
| Support Load N | Weight gram |
|-------------------|----------------|
| 50 | 30 |

Order code

A-D=Housing bare
 B-D=Housing zinc plated
 C-D=Housing zinc plated with stainless steel bearing balls

| | | |
|-----------------|-----------------|-----------------|
| KSM 12 A-D o. B | KSM 12 B-D o. B | KSM 12 C-D o. B |
|-----------------|-----------------|-----------------|

With stainless ballrace



Airport execution

Size 30, 45

Dimensions

| D | D1 | h | H | Support Load | Weight |
|-------|------|------|------|--------------|--------|
| +0,08 | | +0,3 | | St. Steel | |
| mm | mm | mm | mm | N | gram |
| 45,0 | 55,0 | 13,8 | 36,8 | 2150 | 337 |
| 62,0 | 75,0 | 19,0 | 53,5 | 4500 | 945 |

Order code

C=Housing zinc plated with steel balls

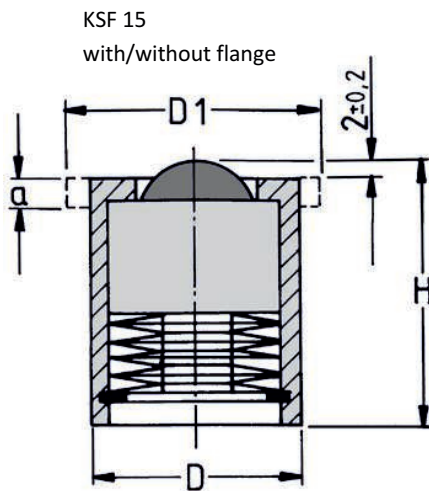
X=with stainless steel housing cup

S=beveled

KSM 30 CXS

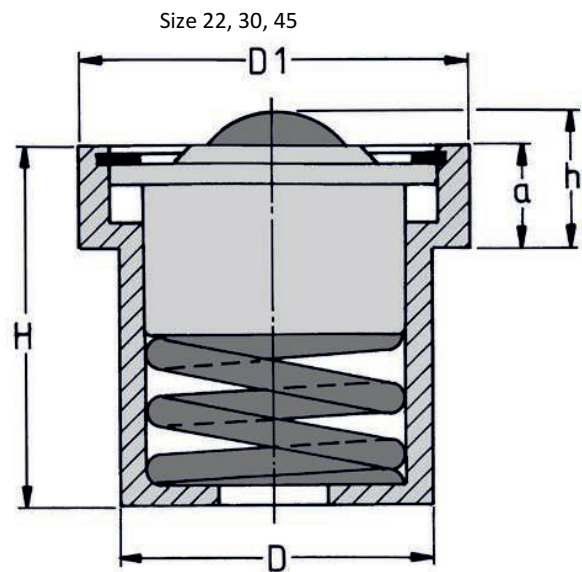
KSM 45 CXS

KSF ball transfer units solid spring loaded



KSF 15

with/without flange



Size 22, 30, 45

Dimensions

| D | D1 | h | H | a | Spring Design | | Weight |
|------|------|------|-------|------|---------------|--------------|--------|
| +0,2 | +0,1 | +0,3 | | | pre-tension | max. tension | |
| mm | mm | mm | mm | mm | N+-15% | N+-15% | gram |
| 30,0 | | | 36,0 | | 400 | 600 | 136 |
| 28,0 | 34,8 | 6,0 | 36,5 | 4,0 | 400 | 600 | 159 |
| 39,0 | 50,0 | 18,5 | 54,0 | 14,0 | 600 | 800 | 287 |
| 39,0 | 50,0 | 18,5 | 54,0 | 14,0 | 170 | 250 | 255 |
| 48,5 | 62,0 | 24,5 | 67,0 | 17,5 | 1200 | 1500 | 540 |
| 66,5 | 85,0 | 36,0 | 101,5 | 25,5 | 2300 | 2800 | 2126 |

other spring tensions on request

Order code

A= Spring housing bare with carbon steel balls

B= Spring Housing zinc plated with carbon steel balls

C= Spring Housing zinc plated with stainless steel balls

KSF 15 A o. B KSF 15 B o. B KSF 15 C o. B

KSF 15 A KSF 15 B KSF 15 C

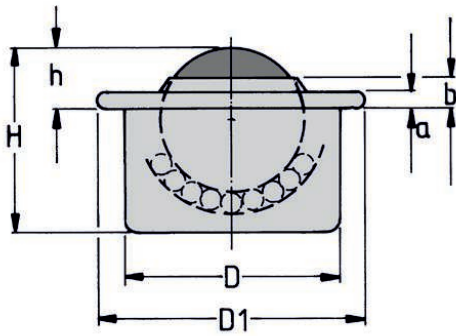
KSF 22 A KSF 22 B KSF 22 C

KSF 22 AF KSF 22 BF KSF 22 CF

KSF 30 A KSF 30 B KSF 30 C

KSF 45 A KSF 45 B KSF 45 C

KSB ball transfer units sheet steel



Size 15, 22, 30

Dimensions

| D | D1 | h | H | a | b | Support Load | | Weight | Order code | | |
|-------|------|------|------|-----|-----|--------------|-----------|--------|--|----------|----------|
| +0,08 | | +0,3 | | | | Steel | St. Steel | | A=Housing bare with carbon steel balls | | |
| mm | mm | mm | mm | mm | mm | N | N | gram | B=Housing zinc plated with carbon steel balls | | |
| | | | | | | | | | C=Housing zinc plated with stainless steel balls | | |
| 24,0 | 31,0 | 9,5 | 21,0 | 2,8 | 6,3 | 500 | 400 | 40 | KSB 15 A | KSB 15 B | KSF 15 C |
| 36,0 | 45,0 | 9,8 | 30,5 | 2,8 | 5,5 | 1500 | 128 | 128 | KSB 22 A | KSF 22 B | KSF 22 C |
| 45,0 | 55,0 | 13,8 | 37,5 | 4,0 | 8,3 | 2500 | 248 | 248 | KSB 30 A | KSF 30 B | KSF 30 C |

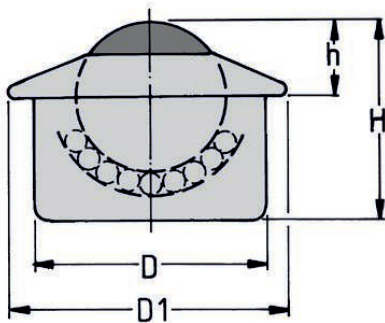
With nylon load ball

| Support Load | Weight | Order code | | |
|--------------|--------|--|------------|------------|
| N | gram | A=Housing bare | | |
| | | B=Housing zinc plated | | |
| | | C=Housing zinc plated with stainless steel support balls | | |
| 70 | 26 | KSB 15 A-D | KSB 15 B-D | KSF 15 C-D |
| 100 | 90 | KSB 22 A-D | KSF 22 B-D | KSF 22 C-D |
| 150 | 154 | KSB 30 A-D | KSF 30 B-D | KSF 30 C-D |

All parts stainless steel

| Support Load | Weight | Order code |
|--------------|--------|------------------------------|
| N | gram | LX=all parts stainless steel |
| 370 | 40 | KSB 15 LX |
| 970 | 128 | KSB 22 LX |
| 900 | 248 | KSB 30 LX |

With beveled cover (reinforced)

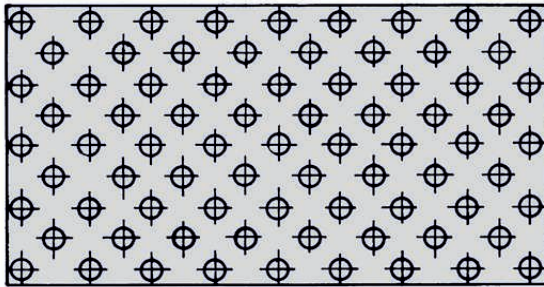
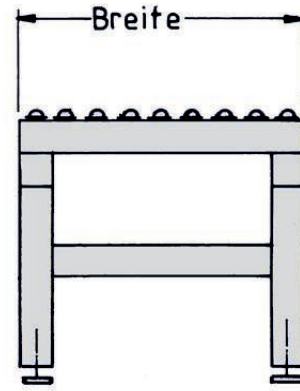
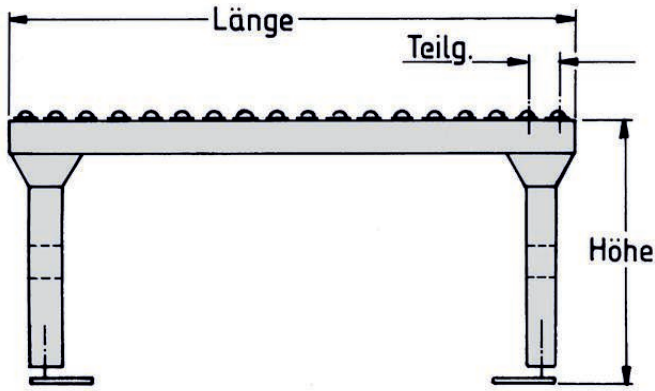


Size 15, 22

Dimensions

| D | D1 | h | H | Support Load | | Weight | Order code | | |
|-------|------|------|------|--------------|-----------|--------|---|-----------|-----------|
| +0,08 | | +0,3 | | Steel | St. Steel | | AS=Housing bare with carbon steel balls | | |
| mm | mm | mm | mm | N | N | gram | BS= Housing zinc plated with carbon steel balls | | |
| | | | | | | | CS=Housing zinc plated with stainless steel balls | | |
| 24,0 | 31,0 | 9,5 | 21,0 | 500 | 400 | 40 | KSB 15 AS | KSB 15 BS | KSB 15 CS |
| 36,0 | 45,0 | 9,8 | 30,5 | 1500 | 1000 | 128 | KSB 22 AS | KSB 22 BS | KSB 22 CS |

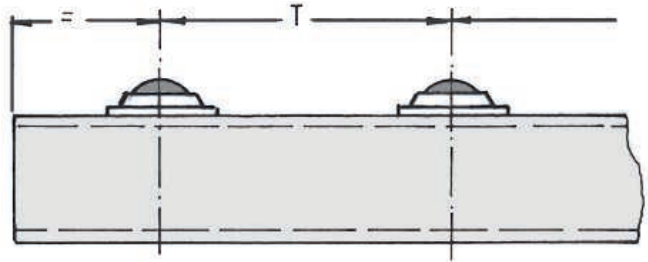
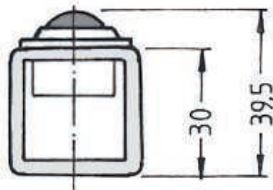
Ball transfer table



Ball transfer ledge

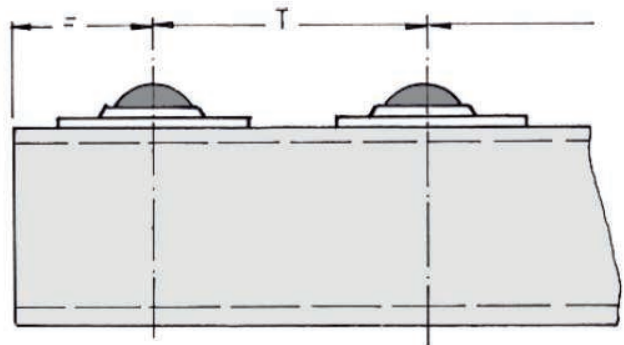
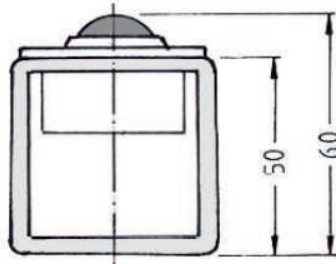
Ball transfer ledge KRL 15 B

P = 75, 100, 125, 150
(different partition possible)



Ball transfer ledge KRL 22 B

P = 100, 125, 150
(different partition possible)



Dimensions

| Ball transfer unit | P | H | 4kt raw | Support Load |
|--------------------|-----|------|---------|--------------|
| | mm | mm | mm | N |
| KSB 15B | 75 | 39,9 | 30x30x2 | 400 |
| KSB 15B | 100 | 39,9 | 30x30x2 | 400 |
| KSB 15B | 125 | 39,9 | 30x30x2 | 400 |
| KSB 15B | 150 | 39,9 | 30x30x2 | 400 |
| KSB 22B | 100 | 60,0 | 50x50x3 | 1000 |
| KSB 22B | 150 | 60,0 | 50x50x3 | 1000 |
| KSB 22B | 200 | 60,0 | 50x50x3 | 1000 |

Order code

4kt-rax available in
zinc plated
RAL color

KRL 15 B - 75-L.....
KRL 15 B - 100-L.....
KRL 15 B - 125-L.....
KRL 15 B - 150-L.....
KRL 22 B - 100-L.....
KRL 22 B - 150-L.....
KRL 22 B - 200-L.....

Length zinc plated max. 3000 mm
Length lacquered max. 4000 mm

Ball transfer ledge in other ball transfer units on request

Ball transfer units general technical data

| | |
|--------------------------|---|
| Use: | conveyors, sheet metal handling and transforming machines, steel industry |
| Design: | huge load ball on top of tiny support balls in hardened housing made of steel and stainless steel |
| Specials: | load ball on top of support ball with multi-directional motion |
| Handling: | load movement manually with rolling friction |
| Size: | 8 mm - 90 mm diameter off load ball |
| Load: | from 70 N to 40.000 N, depending on size |
| Housing: | steel bare, zinc plated, Nylon, stainless steel |
| Balls: | hardened steel, hardened stainless steel, Nylon |
| Installation: | any, preferable floor mounted |
| Sealing: | from size22 with oil saturated felt steel |
| max. temperature: | max. 100 C° with steel balls and felt seal, if above 100 C° please contact us for details |
| Transport speed: | max. 2m/s |

| | | |
|----------------------------------|----------------------------------|--------------------------------------|
| Selection the right unit: | solid ball transfer units: | for extreme usage and shock loadings |
| | sheet steel ball transfer units: | for steady loadings |
| | stainless steel load units: | in open air or under wet conditions |
| | Nylon balls: | for load with sensitive surface |

| | | |
|----------------------|-------------------------|--|
| Measurements: | distance determination: | shortest edge length of load item divided by 2,5 |
| | Since determination: | total loudest by 3, uneven surface of load item |

Supply Options

Ball transfer units with bolt fitting
Ball transfer units with bottom flange
Steel and Nylon balls
Ball transfer units according drawing
Carriage with ball transfer units
Fitting parts
Ball transfer unit bars
Support balls

Fixing Options

O-ring fitting
with self-locking ring for shaft
with security clip according DIN 471
pressed in
clipped in
sticked in
laid in

